



Behbud Sanat Shams

شرکت فنی مهندسی بهبود صنعت شمس

Product Name

GK-1450PCS Automatic Corrugated Box Folding Gluing Machine

Product Description

Samples

	
	
Name	GK-1450PCS Automatic Corrugated box Folding Gluing Machine
model	GK-1450PCS
Paper Material	Cardboard 210-800g, A/B/E Corrugated
Max. Liner speed	Max.280 meter/minute
Feeding way	Automatically and continuously feeding
Way of folding	Fold 1 and fold 3 are 130°and 180°
Power Supply	3P380V 50HZ



Behbud Sanat Shams

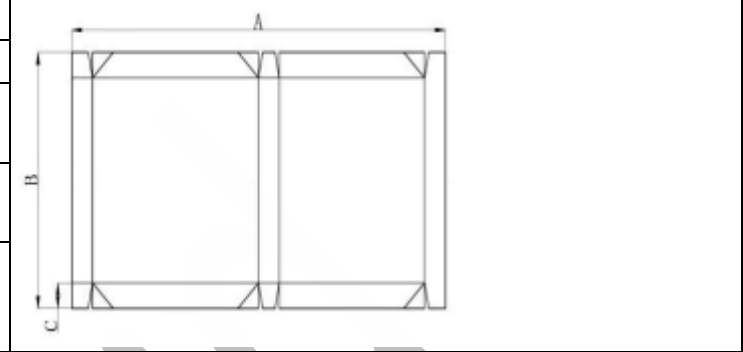
شرکت فنی مهندسی بهبود صنعت شمس

Main motor power	18.4kw
Total power	30kw
Weight	11T
Over dimension	15.7x1.65x1.84m

Specification:

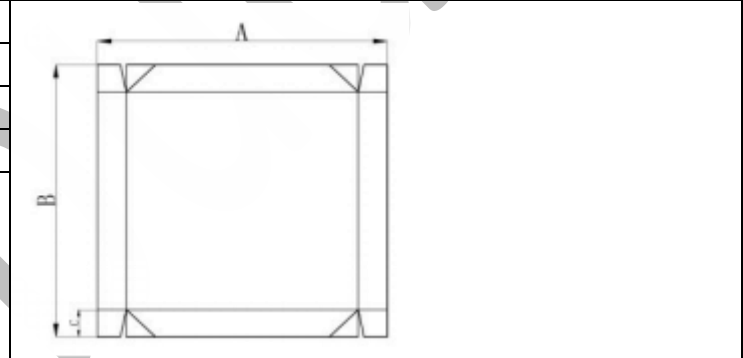
Size of 6 folds box and folding box

Item/model	1450 Type
A	1400-400
B	700-300
C	150-25



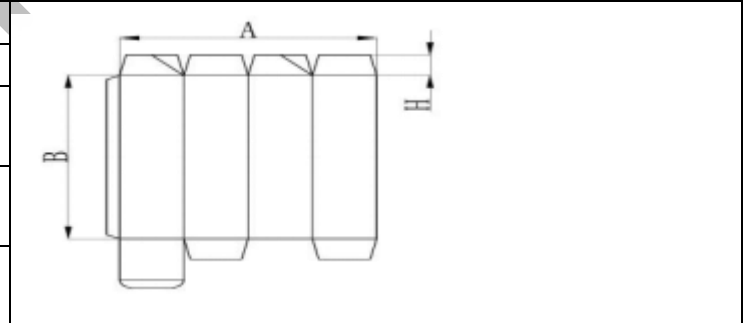
Size of 4 corners box and folding box

Model	1450Type
A	1400-180
B	700-200
C	150-20



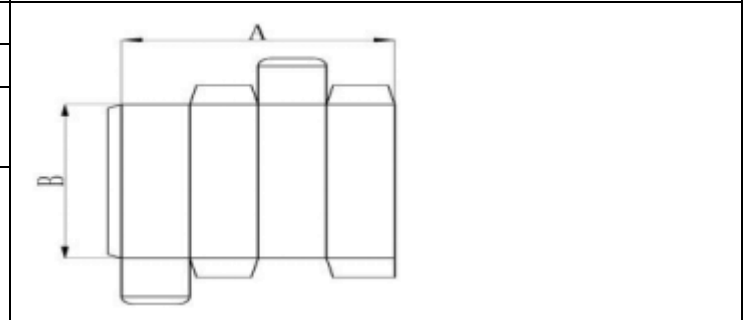
Size of bottom-locked carton and folding carton

Model	1450Type
A	1450-300
B	800-100
H	150-25



Common type and size

Model	1450Type
A	1450-300
B	1000-80



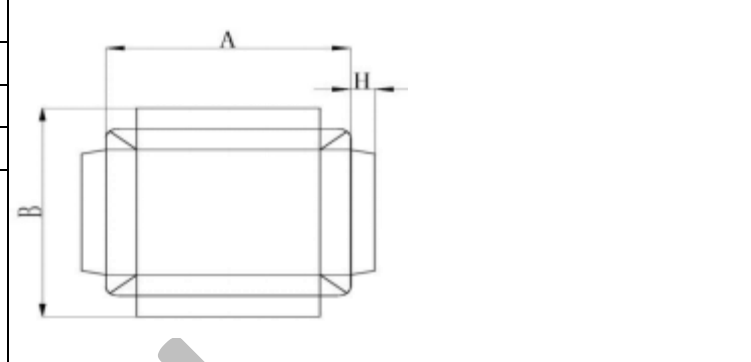


Behbud Sanat Shams

شرکت فنی مهندسی بهبود صنعت شمس

Size of two-sides glue box and folded box:

Model	1450Type
A	1200-250
B	1000-100
H	50-10



Feature introduction



Feeding

Equipped with air suction.

Equipped with new type of feeding knife. You can adjust them according to the box shapes.

With special pushing teeth function, easy to adjust the backing board

Vibration device coordinate with motor which helps machine consecutive and automatic feeding quickly and simply



Paper Correction

Paper Correction: Equipped with auto-correction device to correct the obliquity and ensure the correct feeding.

Pressing drive pressure can be adjusted up and down to accommodate different paper board thickness.



Behbud Sanat Shams

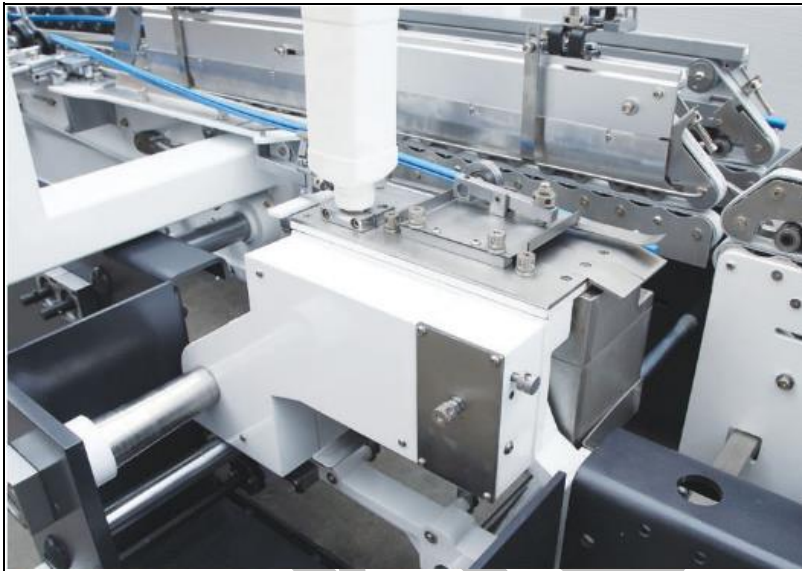
شرکت فنی مهندسی بهبود صنعت شمس



Folding

a. long-distant folding ensure the first line 180°, the third 135° to easily open the cartons fully filled;

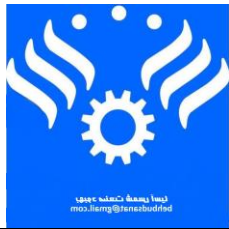
Spare parts are flexible replaced to facilitate installation for other types of boxes



Gluing bucket

Consists of seven groups bottom folding module, the speed of bottom folding is 60-650 pieces/ min. Bottom folding is stable and reliable.

Adopts with three guns spraying system, it is convenient for accurate and rapid gluing when you produce 4/6 corner boxes and various special-shaped boxes.



Behbud Sanat Shams

شرکت فنی مهندسی بهبود صنعت شمس



Folding

The upper pressure belt adopts main drive and cylinder pressure, is mainly used for the production of different thickness of corrugated products.

Equipped with flexible box forming device to ensure the perfect forming of the box.



Squaring device

It is to help small boxes form better.



Valco Spraying System

Spraying system

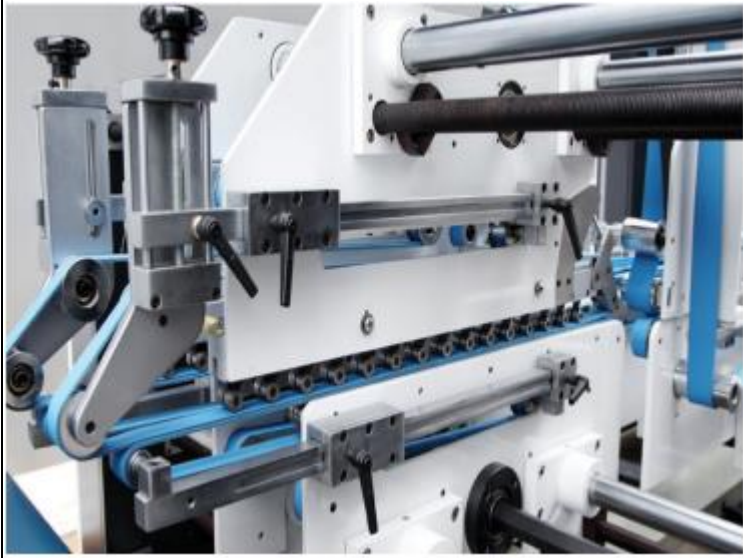
Equipped with three guns, convenient in the production of 4/6 corner box and various special-shaped box, gluing quickly and accurately sizing



Behbud Sanat Shams

شرکت فنی مهندسی بهبود صنعت شمس

Behbud Sanat Shams
moshams@shamsbebud.com

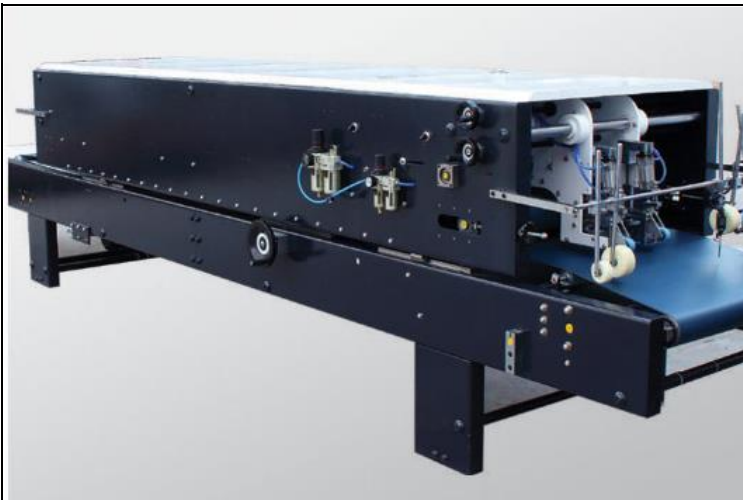


Full pressing

Belt can be adjusted independently.

Independently adjust the speed, and draw back the distance of the paper, convenient for collection.

Equipped with electronic photoelectric counting function, convenient for counting.



Transmission

Structure is specially designed, pressure adjustment is easy and reliable to ensure the quality of gluing;

Servo motor



Motorized electronic 4/6 corners folding system with intelligent servo motor control. You can set it through touch screen easily.



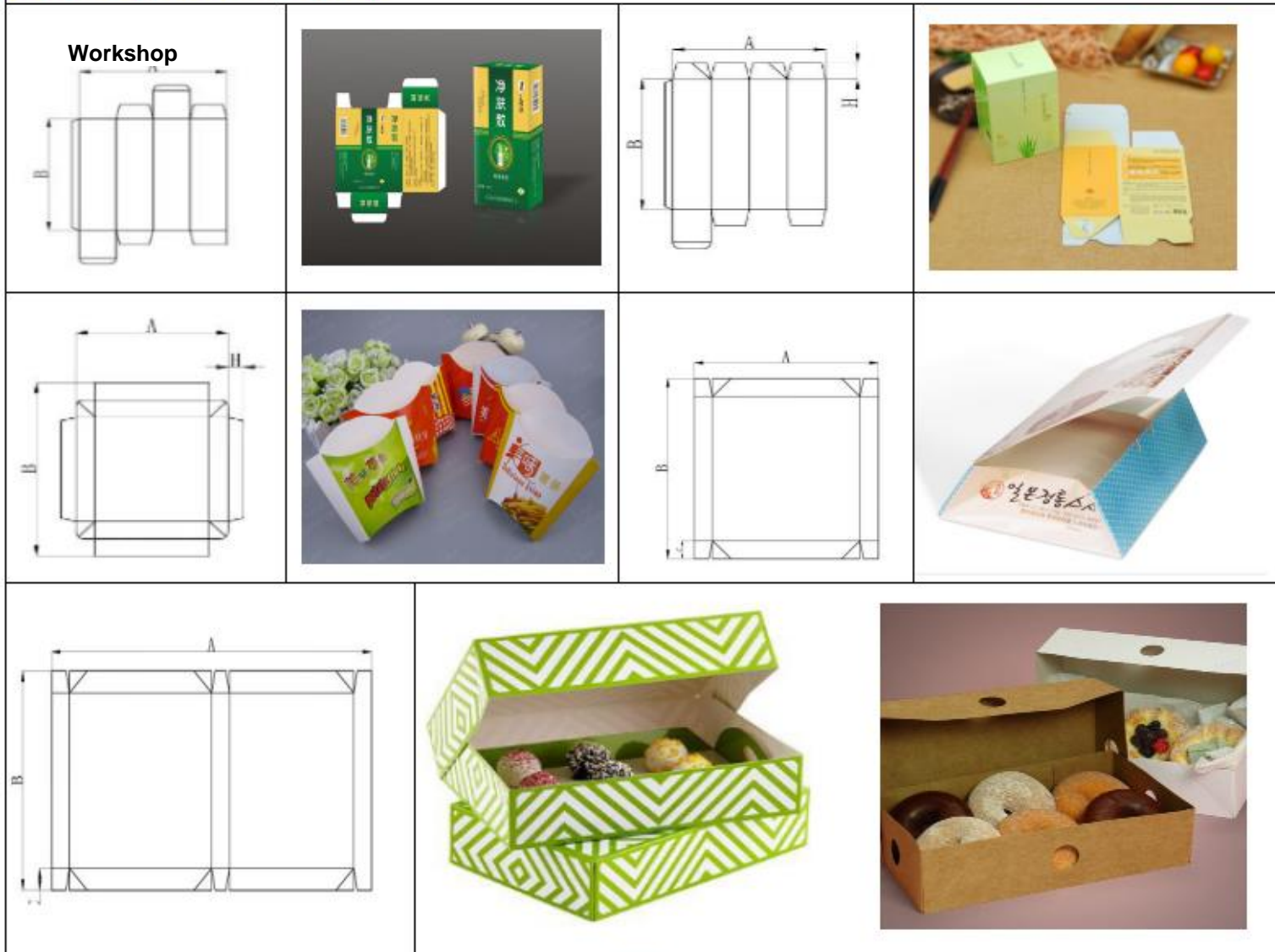
Behbud Sanat Shams

شرکت فنی مهندسی بهبود صنعت شمس

Introduction

PCS Series folding gluing machine with 4/6 corner function, each set is controlled by independent motor, adopts electrical regulating board, PLC, imported electronic components, three plates track mode device. Aluminum plates are all Chute structure, which is easy to add spare parts. The machine is especially designed for all kinds of 4/6 corner cardboard or corrugated packaging boxes, which can meet to all kinds of requirements of automatic packaging area.

Box design and samples



Behbud Sanat Shams Asia

Address: no 22, floor 8, Alborz complex department, Baq Zamani Street, Beheshti sq,

Kamalshahr, karaj, Alborz

Web: www.behbud-sanat.com

Tel: +98-2634718944

Phone: Mr.Rahmani +98-9123634015

Ms.Baghernia +98-9197863408

